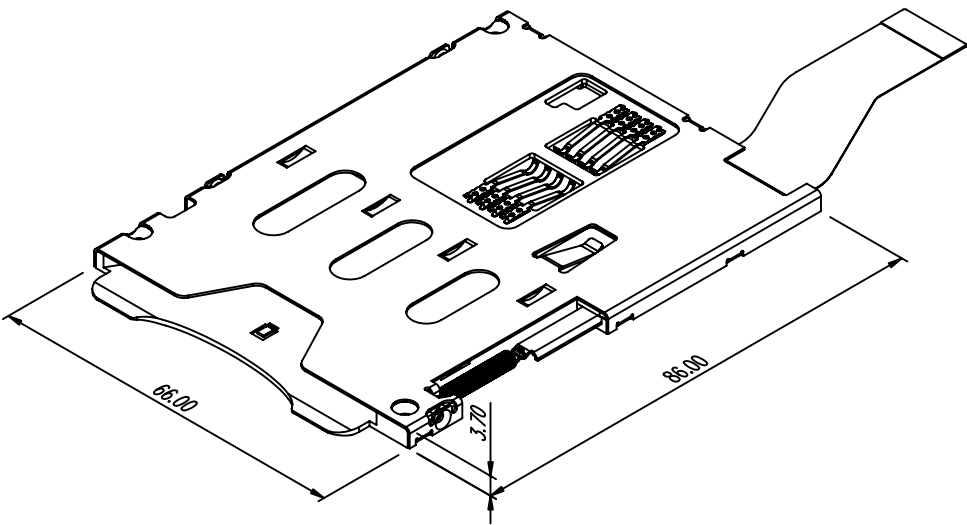


Tous droits strictement réservés. Reproduction ou communication a des tiers interdite sous quelque forme que ce soit sans autorisation écrite du propriétaire. Propriété de © FCI ELECTRONICS INC. Droits de reproduction FCI ELECTRONICS INC.

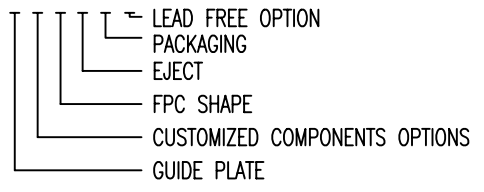
All rights strictly reserved. Reproduction or issue to third parties in any form whatever is not permitted without written authority from the proprietor. Property of © FCI ELECTRONICS INC. Copyright FCI ELECTRONICS INC.

PRODUCT NO.	APPEARANCE	COMPONENTS	FPC	EJECT	PACKAGING	REMARK
55640-10101(LF)	BLUE	N/A	52534-002(LF)	55644-001	340391-001	
55640-11102(LF)	BLUE	56413-001	52534-002(LF)	55644-001	340391-101	
55640-12101(LF)	BLUE	55651-001	52534-002(LF)	55644-001	340391-001	
55640-23201(LF)	BLUE	10018024-001	52534-004(LF)	55644-001	340391-201	
55640-20201(LF)	BLUE	N/A	52534-004(LF)	55644-001	340391-201	
55640-20202LF	BLUE	10062236-001	52534-004(LF)	55644-001	10062267-02-001	
55640-23301(LF)	BLUE	10018024-001	52534-006(LF)	55644-001	340391-201	
55640-20211(LF)	BLUE	N/A	52534-004(LF)	55644-002	340391-201	DURABILITY CAN MEET 25000 CYCLES
55640-23401(LF)	BLUE	10018024-001	52534-007(LF)	55644-001	340391-201	



NOTE :

- SMART CARD READER FOR LOWER PROFILE HEIGHT OF 3.6 mm.
- TOTAL CIRCUIT RESISTANCE PER ONE LOOP SHALL NOT EXCEED 200 MILLIOHMS.
- THE INSERTION & EJECTING FORCE < 650g.
- MATERIALS :
CONTACTS : COPPER ALLOY, GOLD OVER NICKEL ON CONTACT AREA.
HOUSING : THERMOPLASTIC POLYCARBONATE.
COVER : STAINLESS STEEL.
- ENVIRONMENT :
STORAGE TEMPERATURE : FROM -40°C TO 85°C.
OPERATION TEMPERATURE : FROM -20°C TO 70°C.
- ORDER DATAS : 55640-X X X X LF



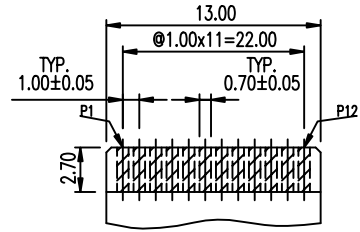
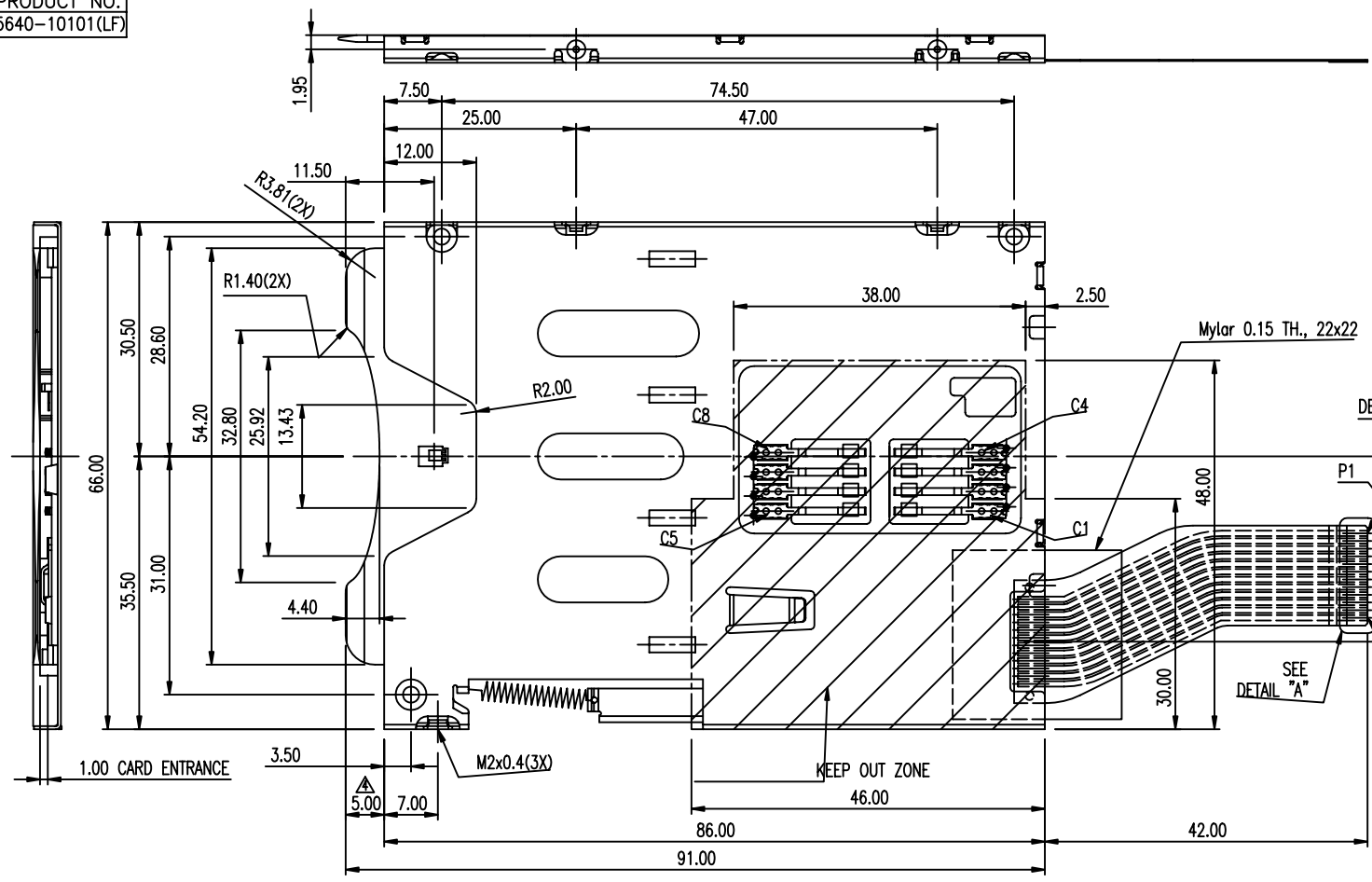
- IF LEAD FREE P/N, GS-14-920 SHOULD BE APPLIED.
- THIS PRODUCT MEETS EUROPEAN UNION DIRECTIVES AND OTHER COUNTRY REGULATIONS AS DESCRIBED IN GS-22-008.

mat'l. code				tolerances unless otherwise specified				CUSTOMER COPY		FCI		
ltr	ecn no	dr	date	~ 10 ± 0.3				projection		title		
J	N08-0158	SH	08/01/08	linear	10 ~ 100 ± 0.5				SMART PLUS B ASSEMBLY			
C	T15059	JSR	8/2/01	100 ~ ± 0.8				product family		SMARTPLUS		
D	T03-0063	JSR	10/23/02	angles	0° ± 3'				size		dwg no	
E	T04-0219	TAI	05/20/04	dr	A. JUANG	9/4/00		scale		1 : 1		
F	N05-0015	AILI	01/20/05	enfr	MINERVA WANG	9/4/00		A3		55640		
G	N05-0203	AILI	07/11/05	chr	JOSEPH HSIA	9/4/00		sheet		1 of 8		
H	N05-0285	AILI	10/24/05	appd	JENN TSAO	9/4/00		code		-		
sheet	revision	H	G	G	G	G	H	sheet		1 of 8		
index	sheet	1	2	3	4	5	6	sheet		1 of 8		

Tous droits strictement réservés. Reproduction ou communication a des tiers interdite sous quelque forme que ce soit sans autorisation écrite du propriétaire. Propriété de © FCI ELECTRONICS. Droits de reproduction FCI ELECTRONICS INC.

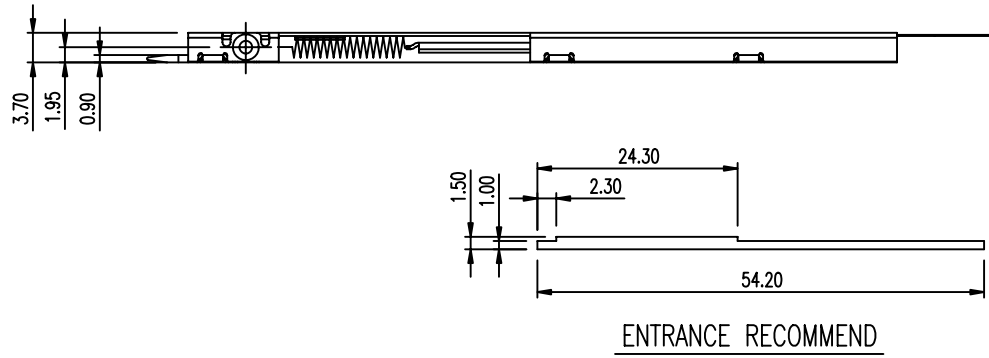
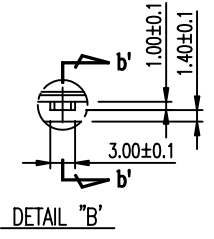
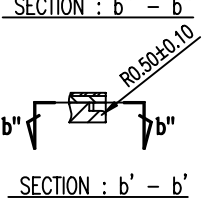
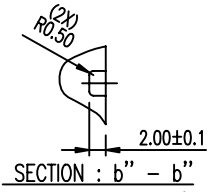
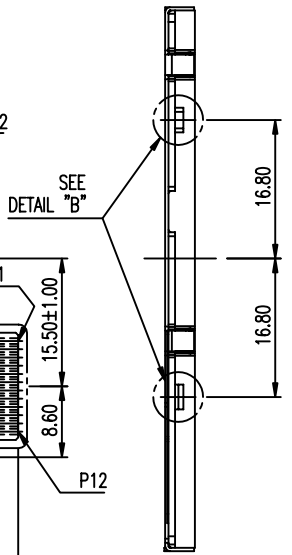
All rights strictly reserved. Reproduction or issue to third parties in any form whatever is not permitted without written authority from the proprietor. Property of © FCI ELECTRONICS. Copyright FCI ELECTRONICS INC.

PRODUCT NO.
55640-10101(LF)



DETAIL "A"
(CONNECTOR SIDE OF FPC)
(DOWNSIDE CONTACT)

SMART CARD	FPC	FUNC.
C4	P1	RFU
C3	P2	Clock
C2	P3	Reset
C1	P4	Vcc
SENSOR 1	P5	SENSOR
	P6	Reserved
SENSOR 2	P7	SENSOR
C5	P8	Gnd
C6	P9	Vpp
C7	P10	I/O
C8	P11	RFU
	P12	Reserved

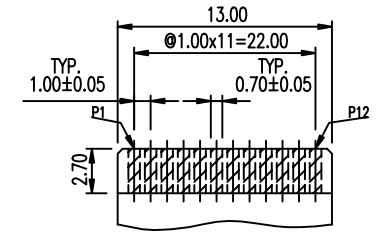
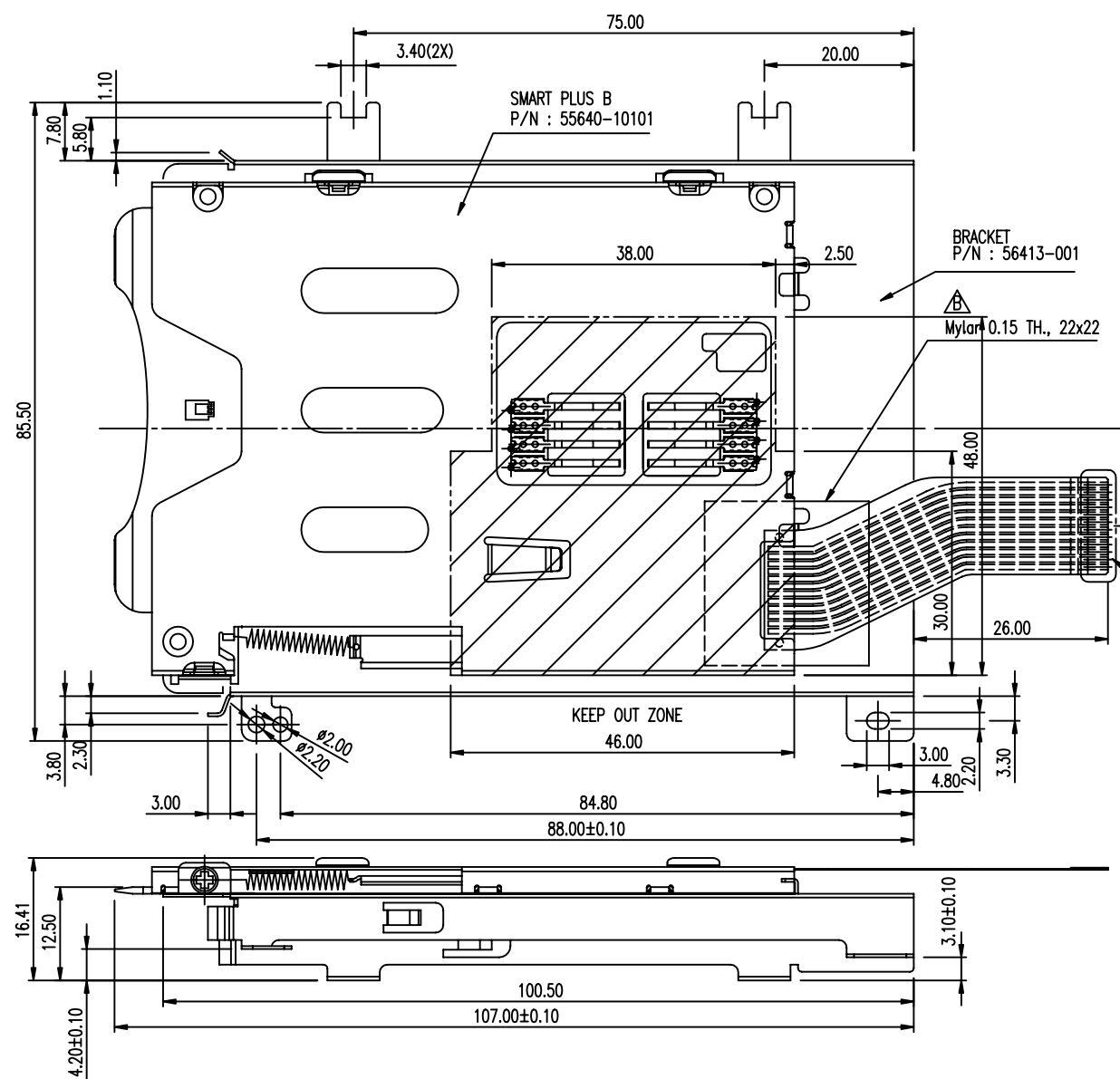
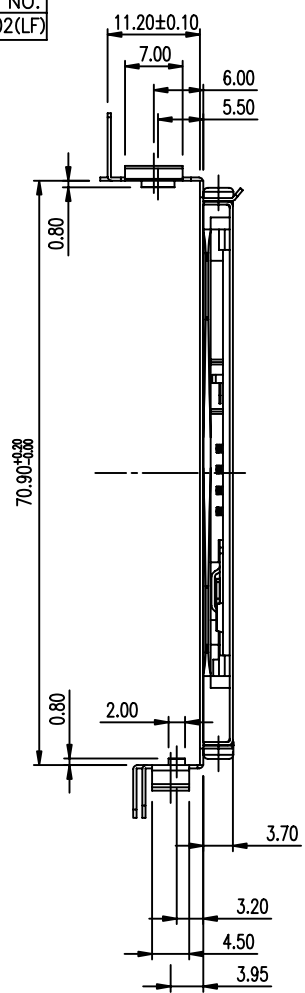


mat'l. code				tolerances unless otherwise specified		CUSTOMER COPY		FCI www.fciconnect.com	
ltr	ecn no	dr	date	linear	~ 10 ± 0.3	projection	title	SMART PLUS B ASSEMBLY	
J					10 ~ 100 ± 0.5	⊕	product family	code	
				angles	100 ~ ± 0.8	← mm	size	sheet	
					0° ± 3°	→	A3	2 of	
				dr	A. JUANG 9/4/00	scale	55640		
				engr	MINERVA WANG 9/4/00	1.5 : 1			
				chr	JOSEPH HSIA 9/4/00				
				appd	JENN TSAO 9/4/00				
sheet index	revision sheet								

Tous droits strictement réservés. Reproduction ou communication a des tiers interdite sous quelque forme que ce soit sans autorisation écrite du propriétaire. Propriété de © FCI ELECTRONICS INC. Droits de reproduction FCI ELECTRONICS INC.

All rights strictly reserved. Reproduction or issue to third parties in any form whatever is not permitted without written authority from the proprietor. Property of © FCI ELECTRONICS INC. Copyright FCI ELECTRONICS INC.

PRODUCT NO.
55640-11102(LF)



SMART CARD	FPC	FUNC.
C4	P1	RFU
C3	P2	Clock
C2	P3	Reset
C1	P4	Vcc
SENSOR 1	P5	SENSOR
	P6	Reserved
SENSOR 2	P7	SENSOR
C5	P8	Gnd
C6	P9	Vpp
C7	P10	I/O
C8	P11	RFU
	P12	Reserved

PRODUCT NO.	APPEARANCE	COMPONENTS	FPC	RESERVE	PACKAGING
55640-11102(LF)	BLUE	56413-001	52534-002(LF)	N/A	340391-101

mat'l. code				tolerances unless otherwise specified		CUSTOMER COPY	
ltr	ecn no	dr	date	~ 10 ± 0.3	linear	~ 100 ± 0.5	projection
J				100 ~ ± 0.8		0° ± 3°	ASME Y14.5
					dr	A. JUANG 12/6/'00	product family
					engr	MINERVA WANG 12/6/'00	size dwg no
					chr	JOSEPH HSIA 12/6/'00	scale
					appd	JENN TSAO 12/6/'00	1.5 : 1
sheet index	revision sheet						A3
							55640
							code
							-
							sheet
							3 of



title
SMART PLUS B + BRACKET ASSEMBLY

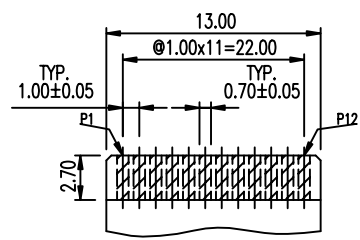
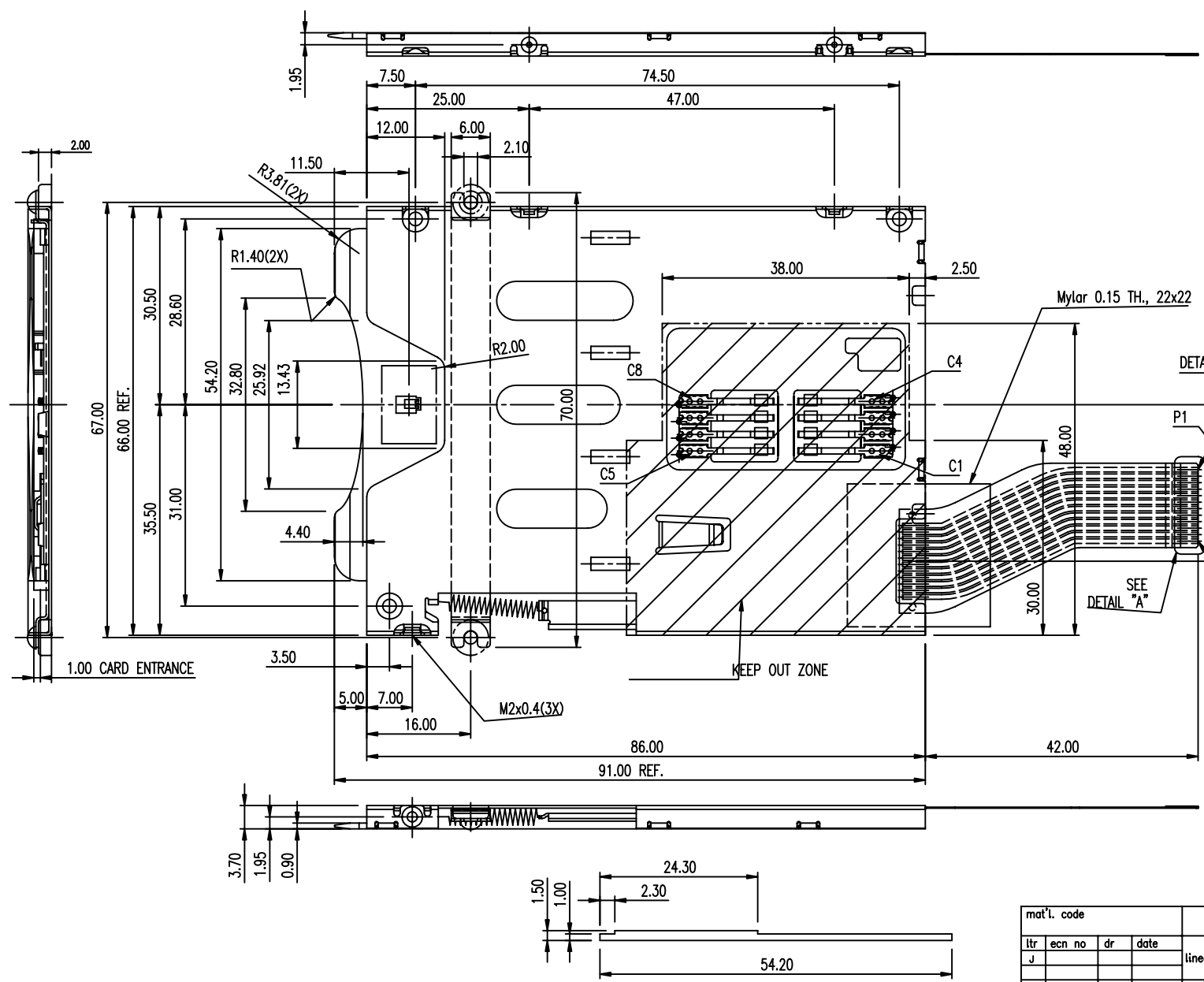
product family size | dwg no
A3 55640

scale
1.5 : 1

Tous droits strictement réservés. Reproduction ou communication a des tiers interdite sous quelque forme que ce soit sans autorisation écrite du propriétaire. Propriété de © FCI ELECTRONICS. Droits de reproduction FCI ELECTRONICS INC.

All rights strictly reserved. Reproduction or issue to third parties in any form whatever is not permitted without written authority from the proprietor. Property of © FCI ELECTRONICS. Copyright FCI ELECTRONICS INC.

PRODUCT NO.	APPEARANCE	COMPONENTS	FPC	EJECT	PACKAGING
55640-12101(LF)	BLUE	55651-001	52534-002(LF)	55644-001	340391-001



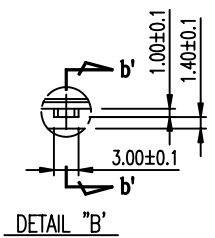
DETAIL "A"
(CONNECTOR SIDE OF FPC)
(DOWNSIDE CONTACT)

SMART CARD	FPC	FUNC.
C4	P1	RFU
C3	P2	Clock
C2	P3	Reset
C1	P4	Vcc
SENSOR 1	P5	SENSOR
	P6	Reserved
SENSOR 2	P7	SENSOR
C5	P8	Gnd
C6	P9	Vpp
C7	P10	I/O
C8	P11	RFU
	P12	Reserved

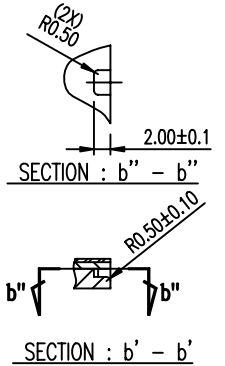
Mylar 0.15 TH., 22x22

SEE DETAIL "B"

SEE DETAIL "A"



DETAIL "B"



SECTION : b'' - b''

ENTRANCE RECOMMEND

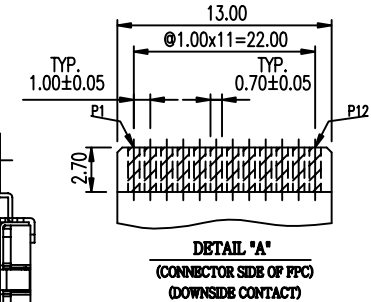
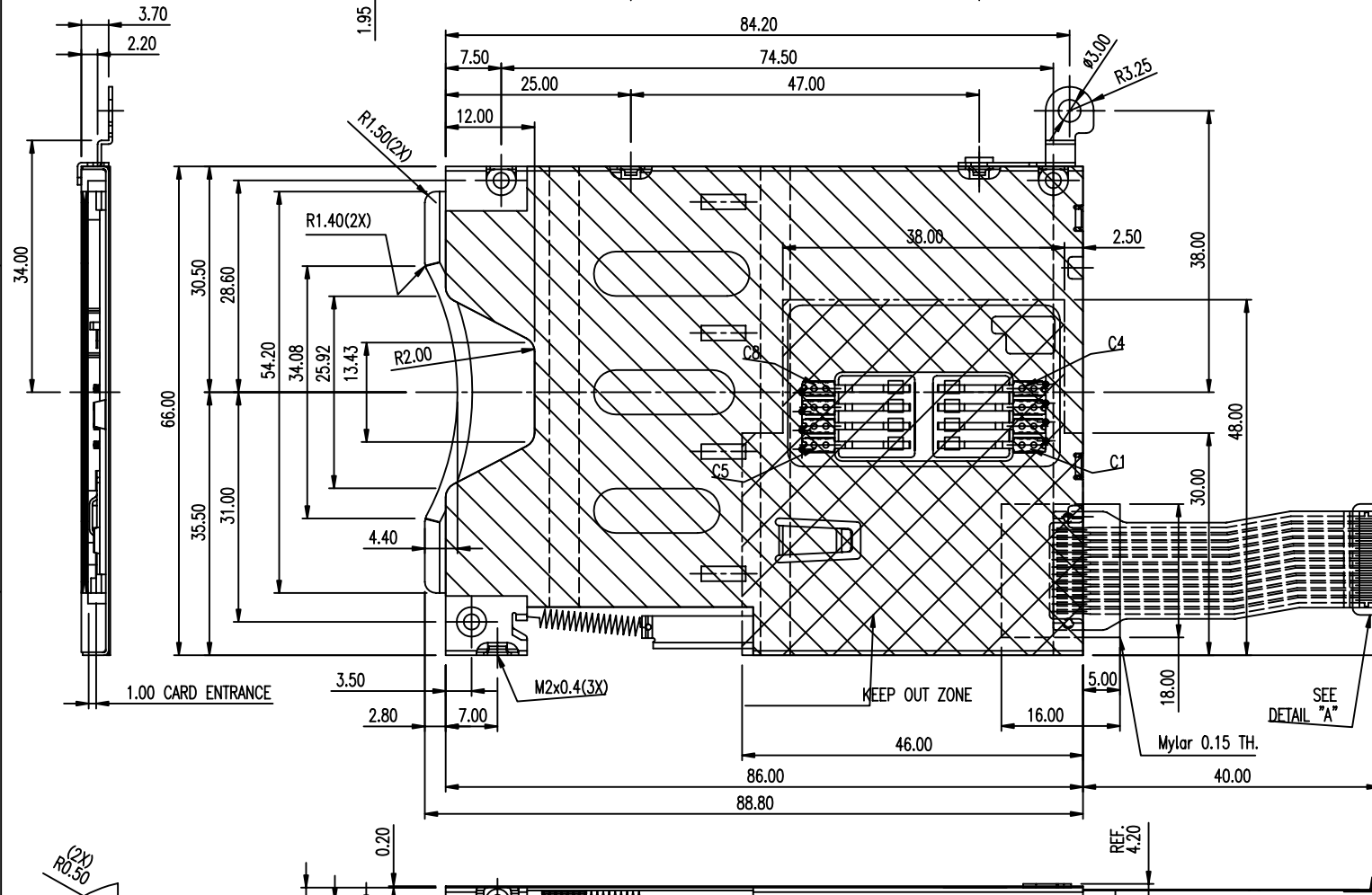
mat'l. code		tolerances unless otherwise specified		CUSTOMER COPY		FCI		www.fciconnect.com	
ltr	ecn no	dr	date	linear	~ 10 ± 0.3	projection	title	product family	code
J					10 ~ 100 ± 0.5	⊕	SMART PLUS B ASSEMBLY		-
					100 ~ ± 0.8	mm			
				angles	0° ± 3°	scale	A3	55640	sheet 4 of
dr	A. JUANG	10/16/00		size	1.5 : 1				
enfr	MINERVA WANG	10/16/00							
chr	JOSEPH HSIA	10/16/00							
appd	JENN TSAO	10/16/00							
sheet index	revision sheet								

Tous droits strictement réservés. Reproduction ou communication a des tiers interdite sous quelque forme que ce soit sans autorisation écrite du propriétaire. Propriété de © FCI ELECTRONICS. Droits de reproduction FCI ELECTRONICS INC.

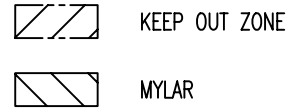
All rights strictly reserved. Reproduction or issue to third parties in any form whatever is not permitted without written authority from the proprietor. Property of © FCI ELECTRONICS. Copyright FCI ELECTRONICS INC.



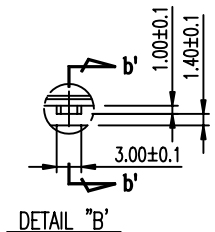
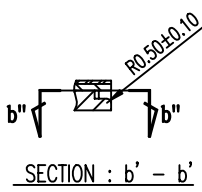
PRODUCT NO.
55640-23201(LF)



SMART CARD	FPC	FUNC.
C4	P1	RFU
C3	P2	Clock
C2	P3	Reset
C1	P4	Vcc
SENSOR 1	P5	SENSOR
	P6	Reserved
SENSOR 2	P7	SENSOR
C5	P8	Gnd
C6	P9	Vpp
C7	P10	I/O
C8	P11	RFU
	P12	Reserved



SECTION : b'' - b''



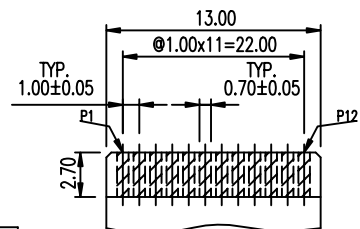
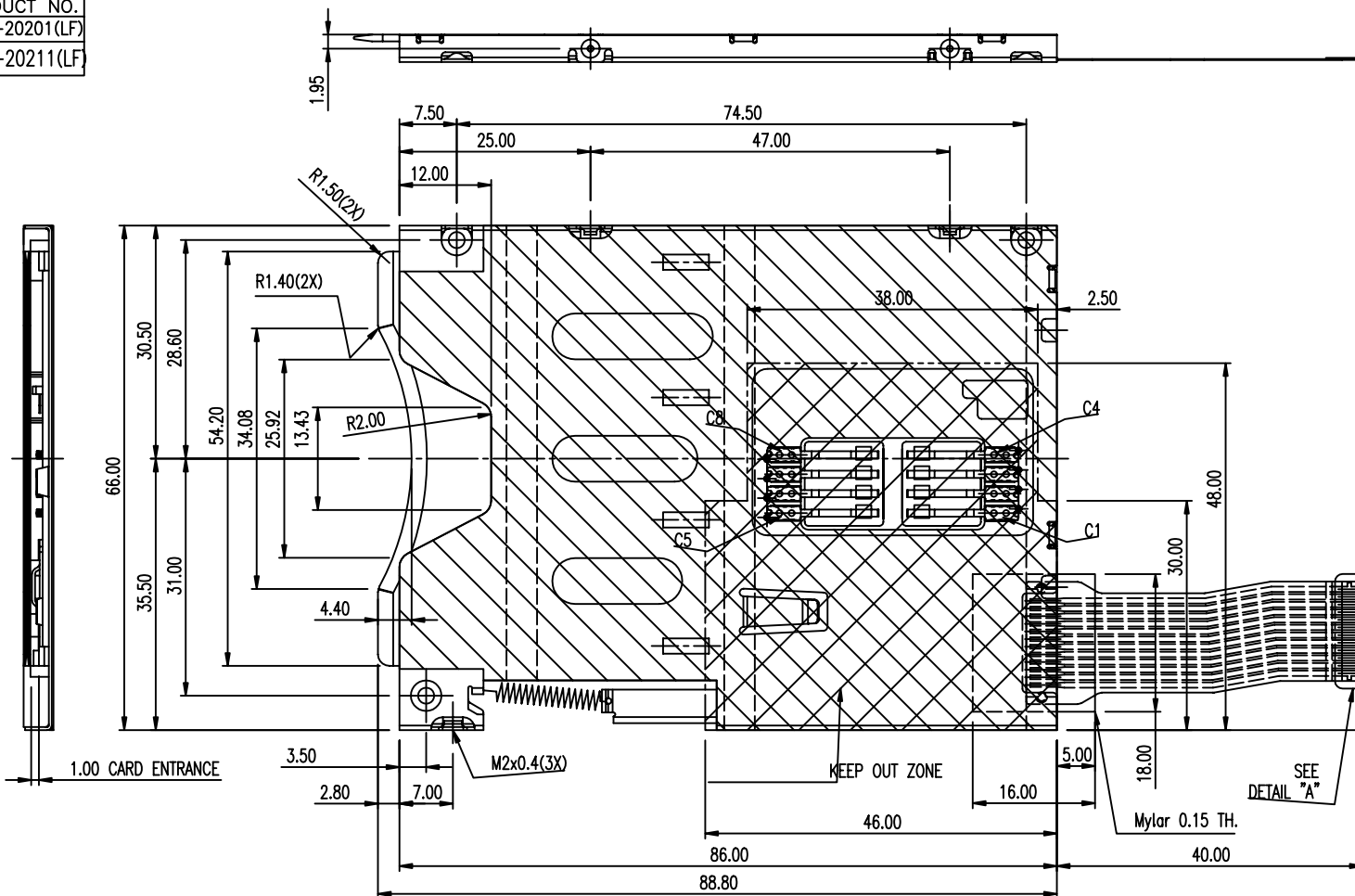
ENTRANCE RECOMMEND

mat'l. code				tolerances unless otherwise specified		CUSTOMER COPY		www.fciconnect.com	
ltr	ecn no	dr	date	linear	~ 10 ± 0.3	projection	title		
J					10 ~ 100 ± 0.5	⊕	SMART PLUS B ASSEMBLY		
				angles	100 ~ ± 0.8	← mm	product family	code	
				dr	0° ± 3°		size	sheet	
				enr			A3	5 of	
				chr	A. JUANG 9/17/'02	scale	55640		
				app	A. JUANG 9/17/'02	1.5 : 1			
sheet index	revision sheet			chr	SCOTT LU 9/17/'02				
				app	JENN TSAO 9/17/'02				

Tous droits strictement réservés. Reproduction ou communication a des tiers interdite sous quelque forme que ce soit sans autorisation écrite du propriétaire. Propriété de © FCI ELECTRONICS. Droits de reproduction FCI ELECTRONICS INC.

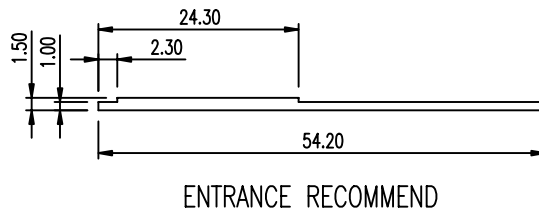
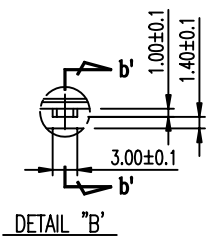
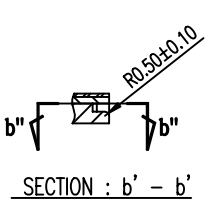
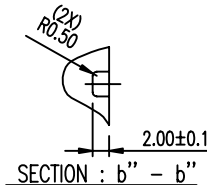
All rights strictly reserved. Reproduction or issue to third parties in any form whatever is not permitted without written authority from the proprietor. Property of © FCI ELECTRONICS. Copyright FCI ELECTRONICS INC.

PRODUCT NO.
55640-20201(LF)
55640-20211(LF)



SMART CARD	FPC	FUNC.
C4	P1	RFU
C3	P2	Clock
C2	P3	Reset
C1	P4	Vcc
SENSOR 1	P5	SENSOR
	P6	Reserved
SENSOR 2	P7	SENSOR
C5	P8	Gnd
C6	P9	Vpp
C7	P10	I/O
C8	P11	RFU
	P12	Reserved

KEEP OUT ZONE
MYLAR



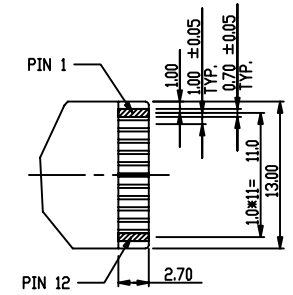
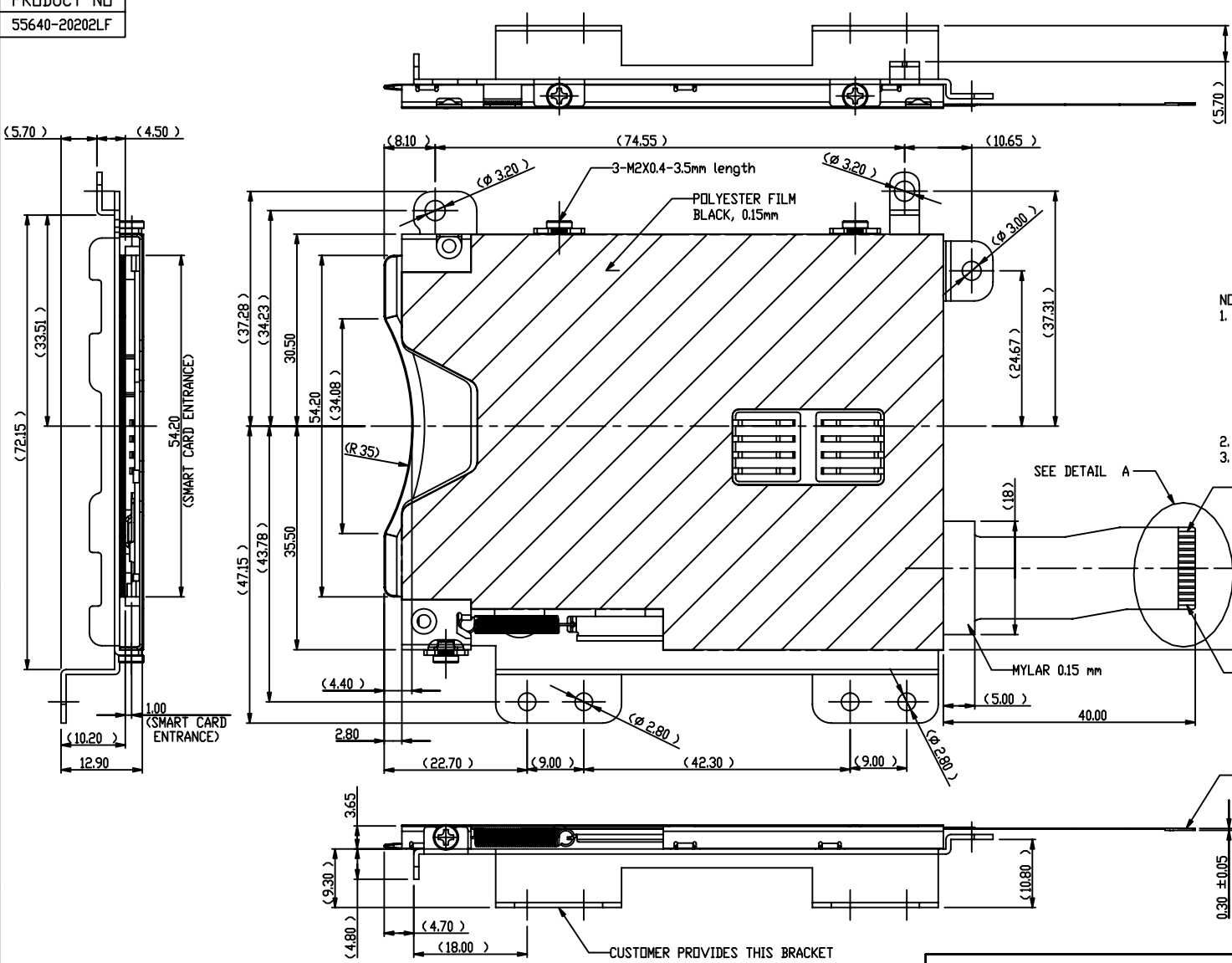
mat'l. code				tolerances unless otherwise specified		CUSTOMER COPY	
ltr	ecn no	dr	date	~ 10 ± 0.3	linear	10 ~ 100 ± 0.5	projection
J				100 ~ ± 0.8	angles	0° ± 3°	title
				dr	A. JUANG	9/17/'02	product family
				enr	A. JUANG	9/17/'02	size
				chr	SCOTT LU	9/17/'02	scale
				app	JENN TSAO	9/17/'02	1.5 : 1
sheet index	revision sheet						A3
							55640
							code
							6 of

PRODUCT NO
55640-20202LF

Tous droits strictement reserves. Reproduction ou communication a des tiers interdite sous quelque forme que ce soit sans autorisation ecrite du proprietaire. Propriete de c FCI. Droits de reproduction FCI.



All rights strictly reserved. Reproduction or issue to third parties in any form whatever is not permitted without written authority from the proprietor. Property of FCI. Copyright FCI.

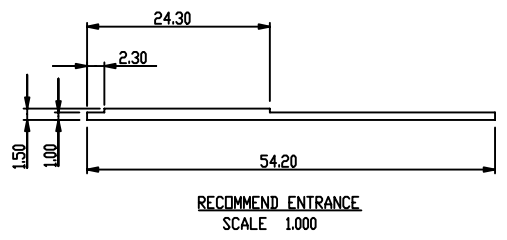


DETAIL A
SCALE 1.500

- NOTE:
- Material:
METAL SHELL: STAINLESS STEEL, T=0.40mm
PCB: FR-4, T=0.80mm
TERMINAL: PHOSPHOR BRONZE.
PLATING SPEC AS BELOW:
ALL OVER NICKEL UNDERPLATING
GOLD PLATING ON CONTACT SURFACE.
MATTE TIN PLATING ON SOLDER TAIL.
 - BRACKET COMPONENT PROVIDE BY CUSTOMER
 - CARD DETECTION SWITCH NORMALLY OPEN WITHOUT MATING CARD

SMART CARD	FPC	FUNC.
C4	P1	RFU
C3	P2	Clock
C2	P3	Reset
C1	P4	Vcc
SENSOR 1	P5	SENSOR
	P6	Reserved
SENSOR 2	P7	SENSOR
C5	P8	Gnd
C6	P9	Vpp
C7	P10	I/O
C8	P11	RFU
	P12	Reserved

TOLERANCE UNLESS OTHERWISE SPECIFIED	
LINEAR	X.X=±0.8 X.XX=±0.25 X.XXX=±0.13
ANGLE	±3°



rev	ecn no	dr	date
J			
-	-	-	-
-	-	-	-
-	-	-	-
-	-	-	-
-	-	-	-
-	-	-	-

www.fciconnect.com		<input checked="" type="checkbox"/> tolerance	<input type="checkbox"/> projection	<input type="checkbox"/> MM
Dr	AILEI ZHANG	10/14/'05	Product family	size A4
Eng	AILEI ZHANG	10/14/'05	Spec ref	Scale 0.500
Chr	AILEI ZHANG	10/14/'05	Material	ECN
Appr	JASON ZHOU	10/14/'05		
title			ASSEMBLY WITH CUSTOMER'S BRACKET	
catalog no			SMART PLUS B	
drawing no			55640	
customer			sheet 7 of 8	
Rev.			J	

